



Thanks to a good color rendering, the FLL series LED lamps represent an efficient solution for enclosure lighting. Available in AC, DC or multi voltage versions and with ON/OFF switch or PIR sensor. FLL series offers the advantages of a swiveling system to direct light beam, optional magnetic fastening and a quick connection by screwless wiring system.

| Technical data          |                          |                 |
|-------------------------|--------------------------|-----------------|
| <b>APPROVALS</b>        |                          |                 |
| Approvals               | CE; cURus; UKCA          |                 |
| <b>ELECTRICAL DATA</b>  |                          |                 |
| Rated Voltage           | 115-230                  | V a.c.          |
| Rated Power             | 5                        | W               |
| Operating Voltage       | 85-265                   | V a.c.          |
| Frequency               | 50/60                    | Hz              |
| Appliance Class         | II                       |                 |
| <b>GENERIC DATA</b>     |                          |                 |
| Casing Material         | PC UL94 V-0              |                 |
| RAL Number              | 7035                     |                 |
| Electrical Connection   | Screwless Terminal Block |                 |
| Life Expectancy         | 160000                   | h at 25 °C      |
|                         | 160000                   | h at 77 °F      |
| Wires Section           | 0.5-1.5                  | mm <sup>2</sup> |
| Wires Section           | 20-14                    | AWG             |
| Light Cover             | Polycarbonate            |                 |
| Fixing System           | Screws                   |                 |
| Switch                  | Manual ON/OFF            |                 |
| <b>PHOTOMETRIC DATA</b> |                          |                 |
| Color Temperature       | 7100                     | K               |
| Light Beam Angle        | 120                      | °               |

Image is for illustrative purpose only. All specifications, data and drawing are subject to change without notice. Please refer to our terms of sales including our warranty and limited liabilities clauses.

**Kontaktaten für Anfragen und Bestellungen:**

MBI GmbH • Ubstadter Pfad 5 • 76694 Forst

Tel. 0049 7251/3020408 • Fax 0049 7251/3020409 • E-Mail: [info@mbi-gmbh.de](mailto:info@mbi-gmbh.de) • Web: [www.mbi-gmbh.de](http://www.mbi-gmbh.de)

# ENCLOSURE LAMPS

## "FLL" series LED lamps

**FLL-300565U-S**

AC lamps

| Technical data                      |         |    |
|-------------------------------------|---------|----|
| Luminous Flux                       | 315     | lm |
| ENVIRONMENTAL AND THERMAL DATA      |         |    |
| IP Protection Degree                | IP20    |    |
| Operating Temperature               | -30÷60  | °C |
|                                     | -22÷140 | °F |
| Storage Temperature                 | -40÷85  | °C |
|                                     | -40÷185 | °F |
| UL DATA                             |         |    |
| UL File Number Recognized Component | E237844 |    |
| UL Surrounding Temperature          | 60      | °C |
|                                     | 140     | °F |

Image is for illustrative purpose only. All specifications, data and drawing are subject to change without notice. Please refer to our terms of sales including our warranty and limited liabilities clauses.

### Kontakt Daten für Anfragen und Bestellungen:

MBI GmbH • Ubstader Pfad 5 • 76694 Forst

Tel. 0049 7251/3020408 • Fax 0049 7251/3020409 • E-Mail: [info@mbi-gmbh.de](mailto:info@mbi-gmbh.de) • Web: [www.mbi-gmbh.de](http://www.mbi-gmbh.de)

# ENCLOSURE LAMPS

## "FLL" series LED lamps

FLL-300565U-S

AC lamps

> CONTACT US

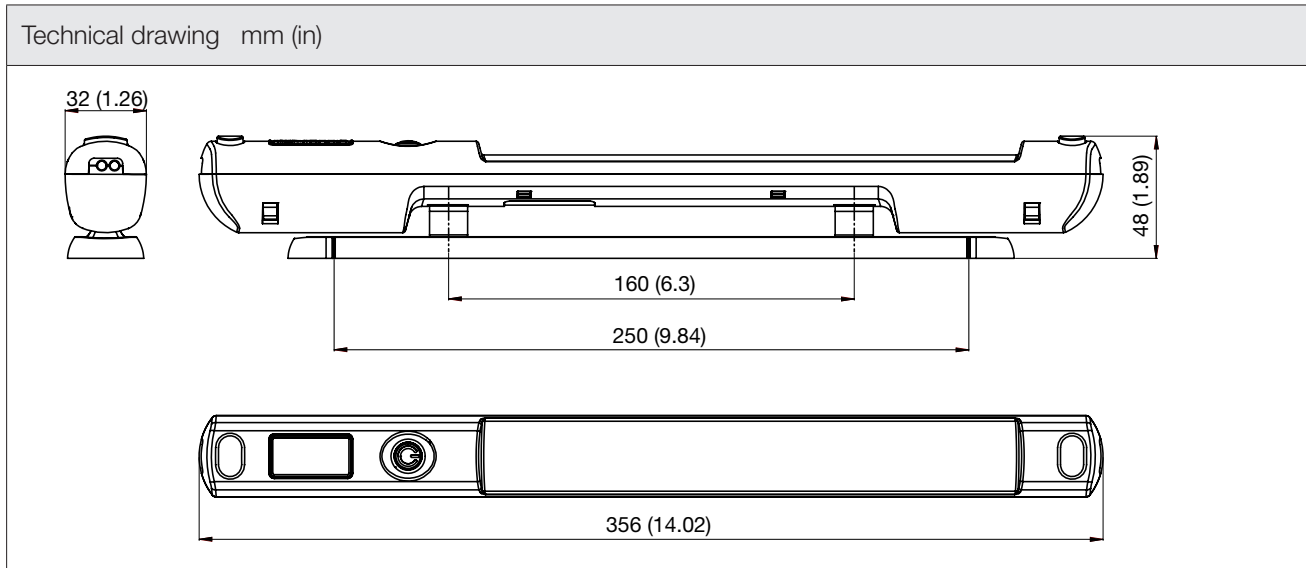


Image is for illustrative purpose only. All specifications, data and drawing are subject to change without notice. Please refer to our terms of sales including our warranty and limited liabilities clauses.

### Kontaktdaten für Anfragen und Bestellungen:

MBI GmbH • Ubstader Pfad 5 • 76694 Forst

Tel. 0049 7251/3020408 • Fax 0049 7251/3020409 • E-Mail: [info@mbi-gmbh.de](mailto:info@mbi-gmbh.de) • Web: [www.mbi-gmbh.de](http://www.mbi-gmbh.de)

Brand: FANDIS